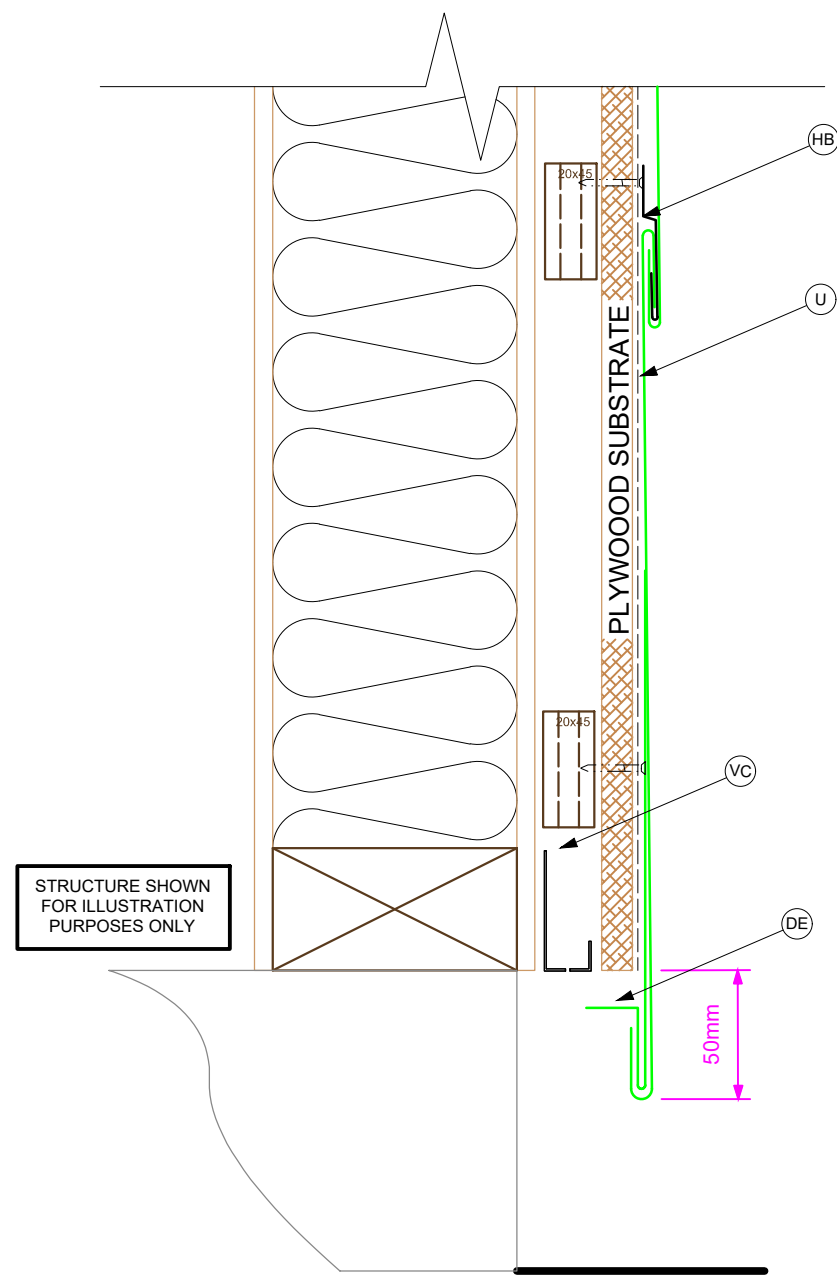
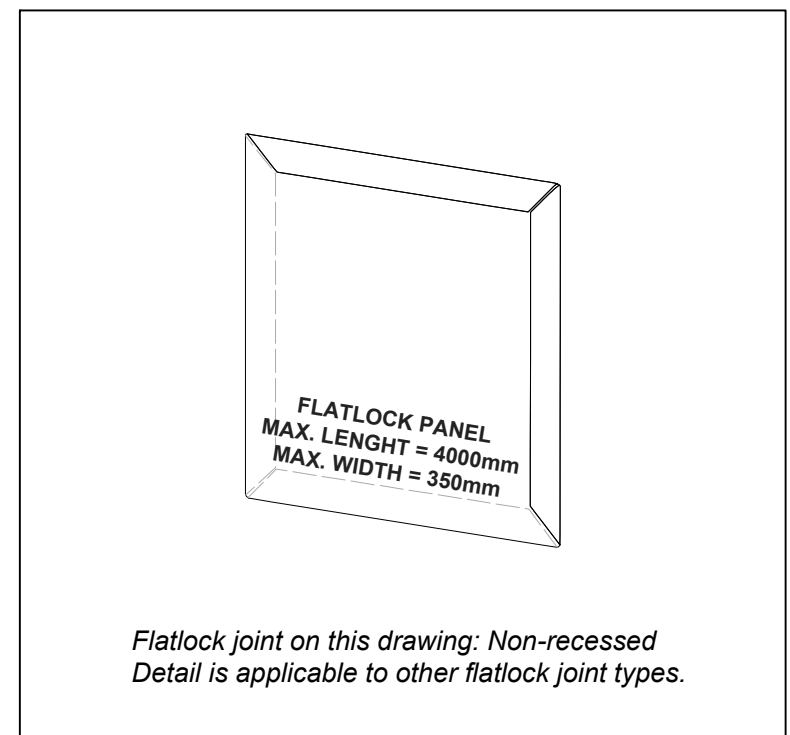


**OPTION 1
WITH PERFORATED FLASHING**



**OPTION B
WITH CAVITY CLOSER**



- Ⓧ DRIP EDGE FLASHING
- Ⓧ PERFORATED FLASHING
- Ⓧ HIDDEN BRACKET
- Ⓧ VERMIN CAVITY CLOSER
- Ⓧ UNDERLAY

*Please refer to E2 for further information on flashings cover width.

Information and details herein are only a baseline for system design and installation. Modification to meet project requirements is the responsibility of the designer and architect. Architectural Envelopes staff are available to assist in this process.

FLATLOCK PANELS BOTTOM		
	Architectural Envelopes Ltd 54b McNulty Road, Cromwell 9310 P.O. Box 37, Lake Hawea 9345 Email: info@architecturalenvelopes.nz www.architecturalenvelopes.nz	SCALE: 1:3
	Date: 3 Oct 2019	